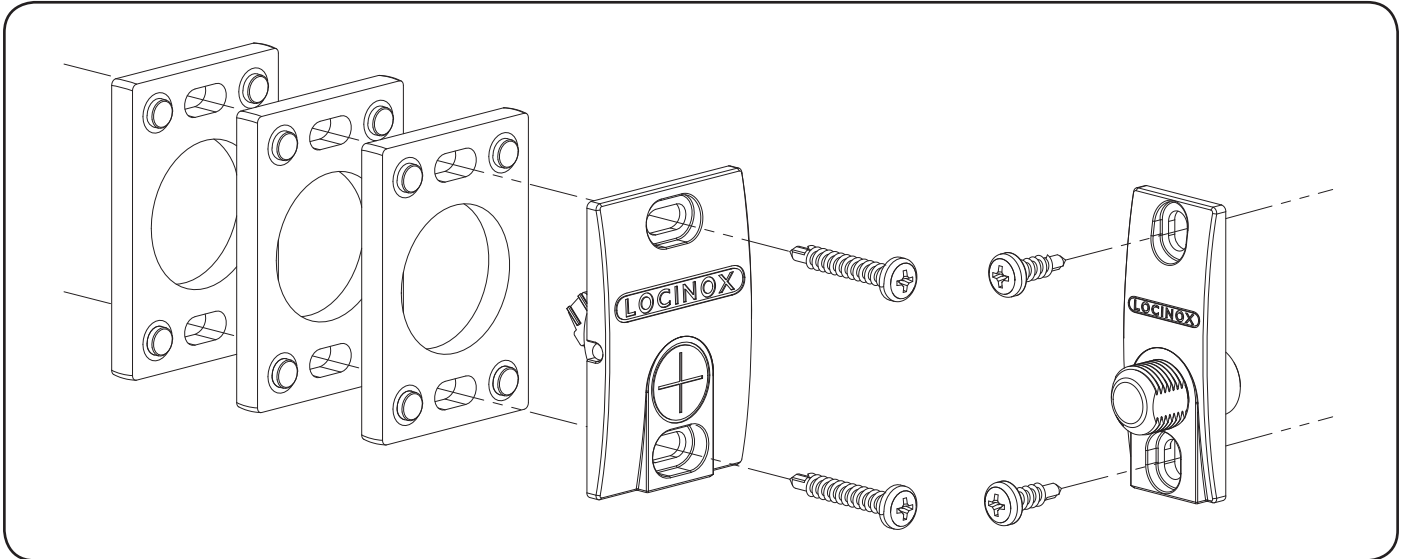
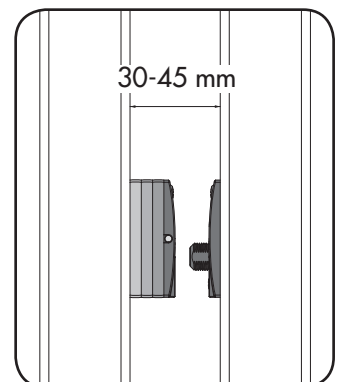
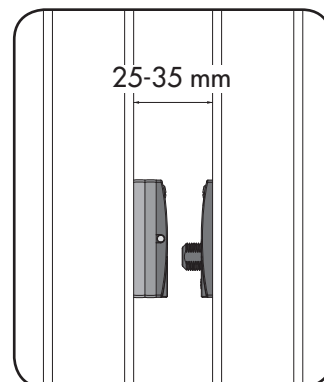
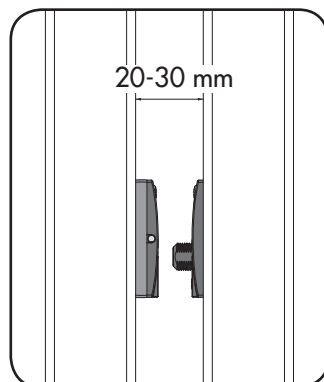
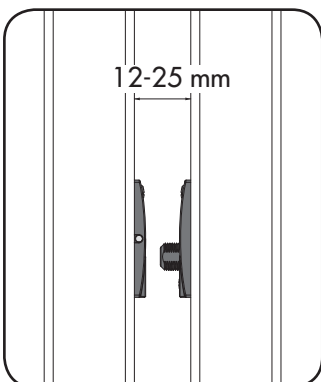
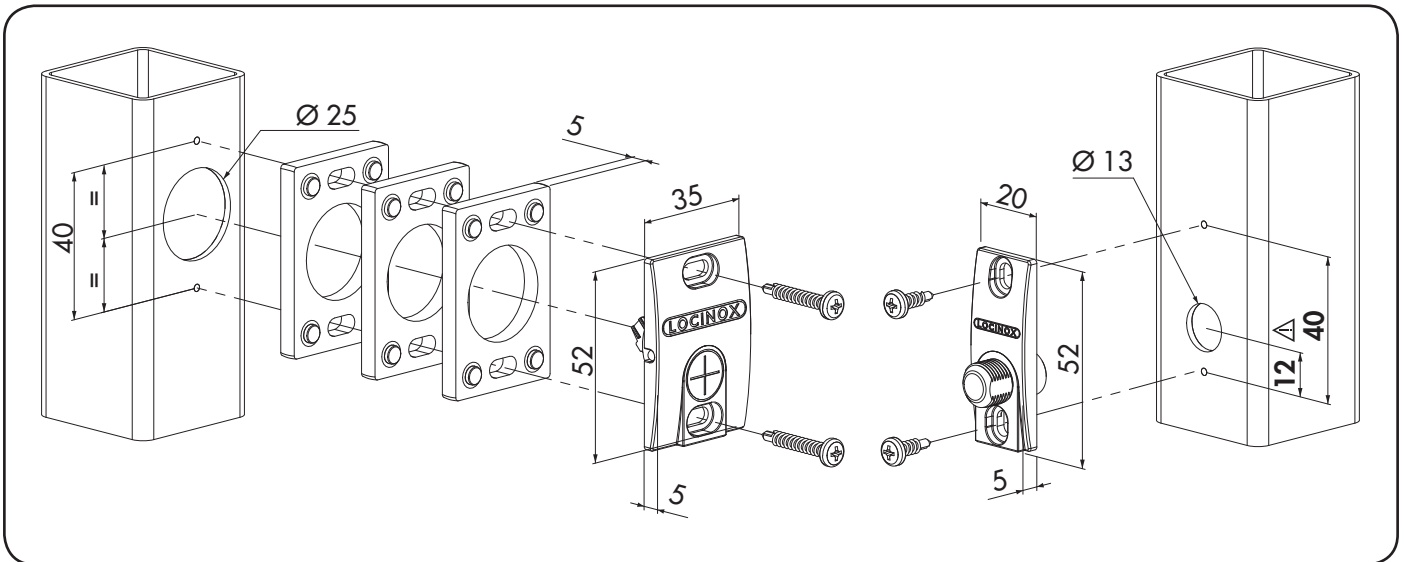


CODE: GATESWITCH

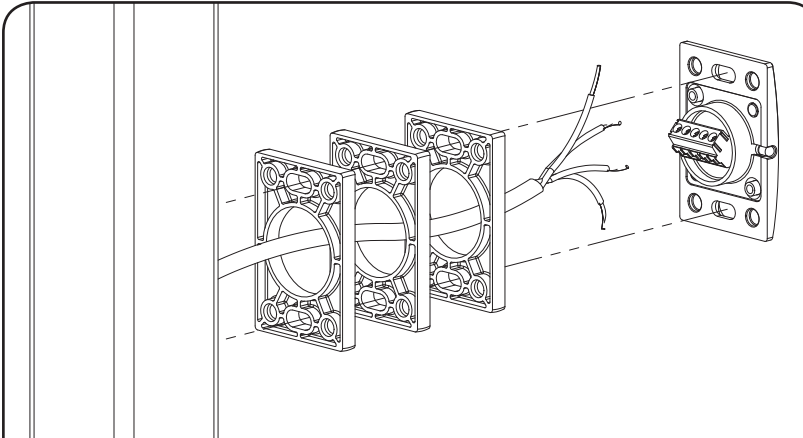
① PACKAGE CONTENT



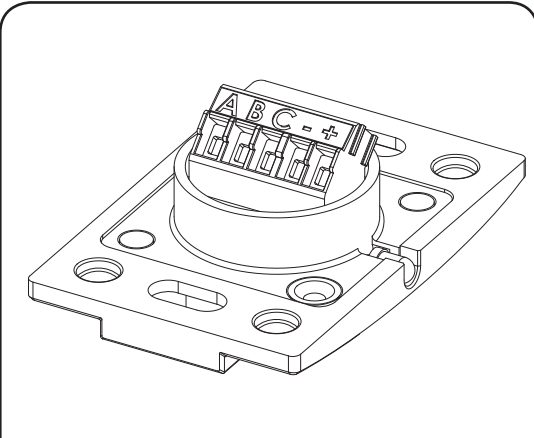
② PROFILE PREPARATION

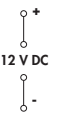
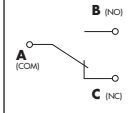


③ ELECTRICAL CONNECTIONS

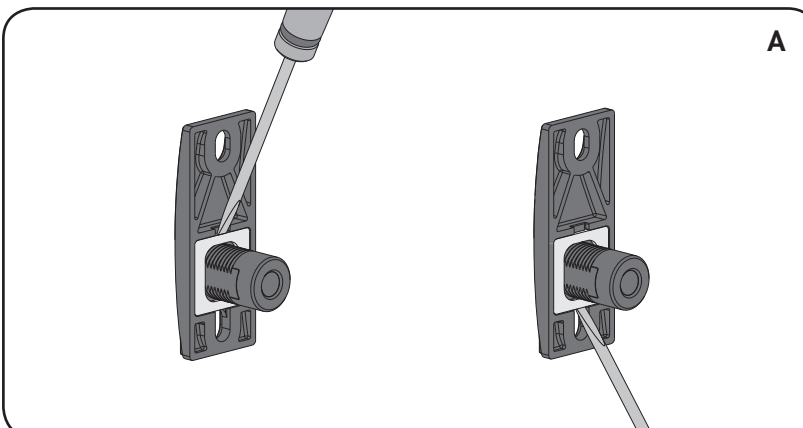


Contact Data	Conditions	Max
Switching voltage	DC or Peak AC	175 V
Switching Current	DC or Peak AC	0,5 A
Carry Current	DC or Peak AC	1 A
Contact Rating	Any DC combination of V&A. no to exceed their individual max. 's	10 W

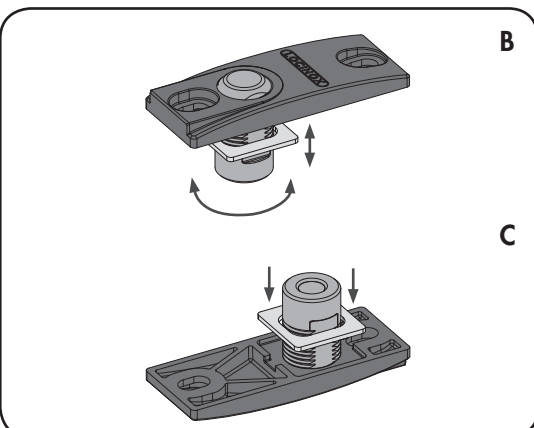


+	Optional voltage: 12 V / DC For visual status LED indication		
B	NO	Normal open	
A	COM	Common 1	
C	NC	Normal closed	

④ ADJUSTMENT



A



B

C

⑤ MAGNET ADJUSTMENT & LED INDICATION

